

Burns and Ferrall Locations

AUCKLAND
12 Reg Savory Place
East Tamaki, Auckland

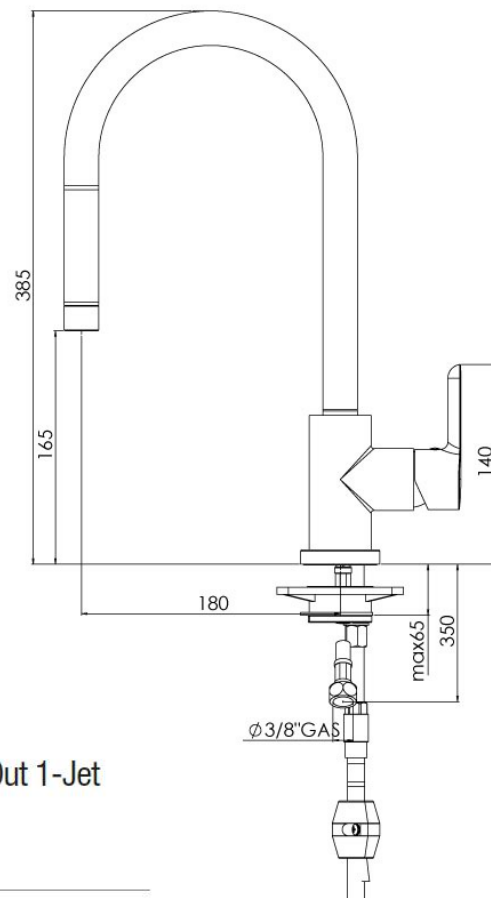
0800 697 465

WELLINGTON
122-124 Tory Street
Te Aro

HAMILTON
60 Alexandra Street
Central

CHRISTCHURCH
345 St Asaph Street
Christchurch

Product Specification Sheet RD00137CR



New Road Swivel Spout & Pull Out 1-Jet Shower Head

Models

07 RD00137CR *Chrome*
07 RD00137BK *Black*

Overall Dimensions D x H

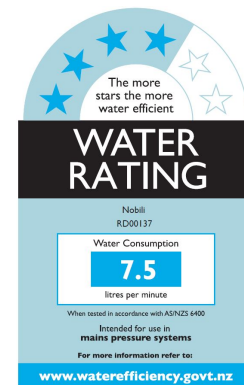
195 x 385mm

Recommended Pressure Rating

100-500kPa (1-5 bar)

Wells Rating

7.5



E&OE – it is recommended all measurements are taken directly from the product. Specification subject to change without notice, always consult the literature supplied with the product. Coloured images are indicative only.